



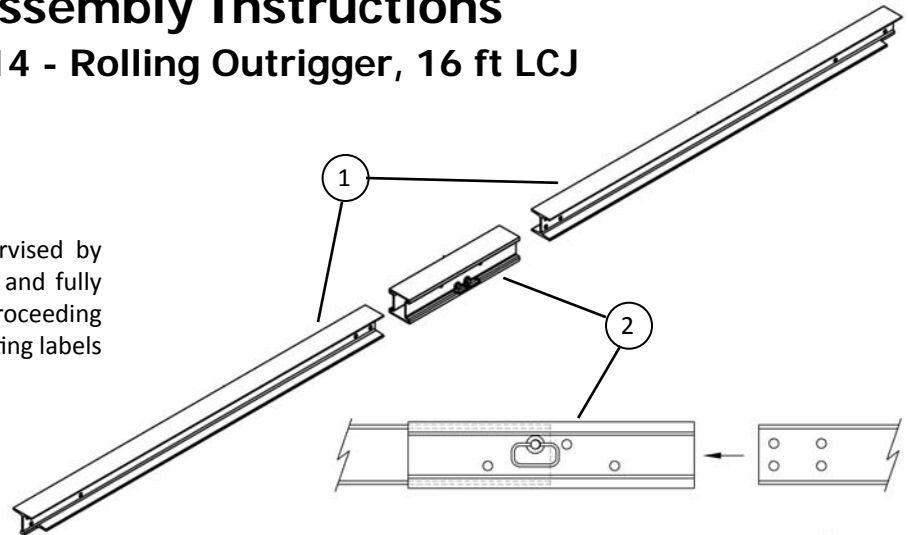
## Rolling Outrigger Beam, 5x5

### Assembly Instructions

#### 920514 - Rolling Outrigger, 16 ft LCJ

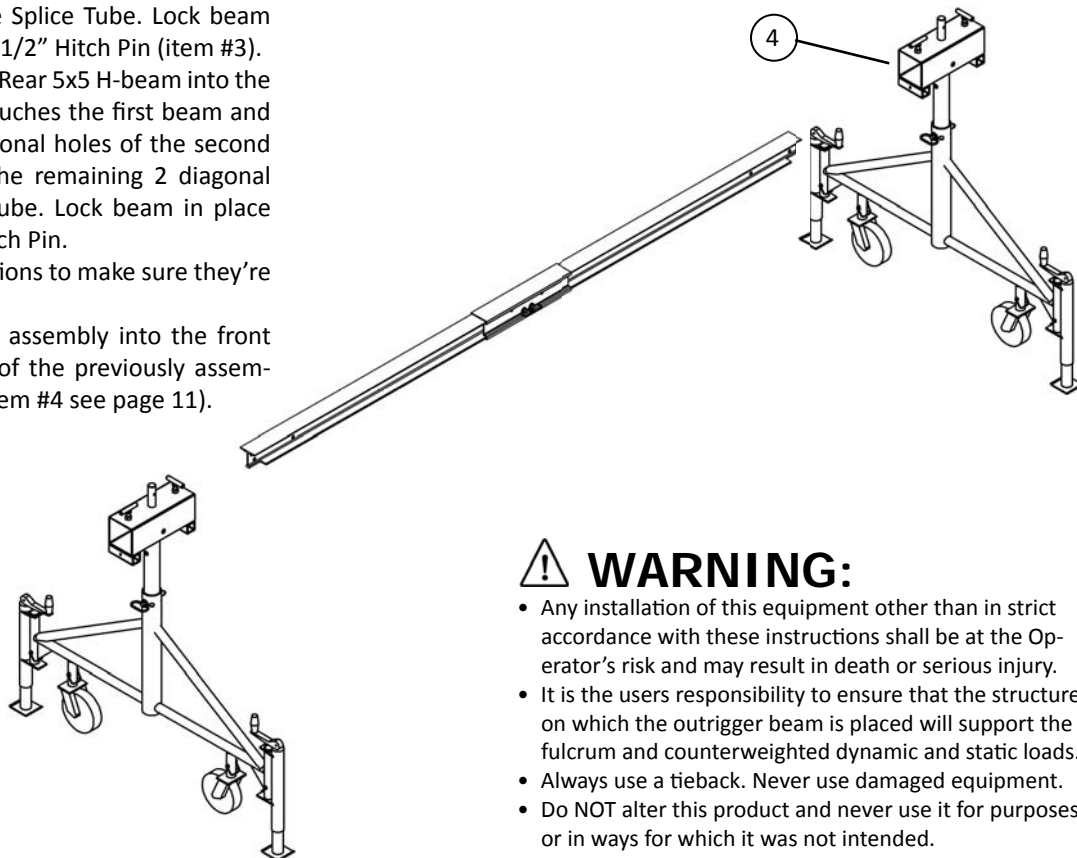
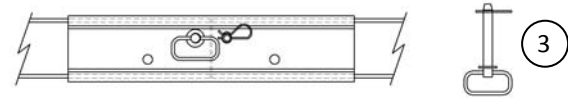
**NOTE:**

Assembly must be performed or supervised by a competent and trained person. Read and fully understand these instructions before proceeding with installation. Make sure warning/rating labels are in place, legible and have been read.



**Assembly Instructions:**

1. Slide a Front/Rear 5x5 H-beam (item #1) exactly half-way into the Splice Tube (item #2) until the 2 diagonal holes of the beam line up with the diagonal holes of the Splice Tube. Lock beam in place with a 3/4x4-1/2" Hitch Pin (item #3).
2. Slide the other Front/Rear 5x5 H-beam into the Splice Tube until it touches the first beam and make sure the 2 diagonal holes of the second beam line up with the remaining 2 diagonal holes of the Splice Tube. Lock beam in place with a 3/4x4-1/2" Hitch Pin.
3. Pull on the beam sections to make sure they're locked in place.
4. Slide the 16 ft beam assembly into the front and rear mastheads of the previously assembled Caster Dollies (item #4 see page 11).



### **! WARNING:**

- Any installation of this equipment other than in strict accordance with these instructions shall be at the Operator's risk and may result in death or serious injury.
- It is the users responsibility to ensure that the structure on which the outrigger beam is placed will support the fulcrum and counterweighted dynamic and static loads.
- Always use a tieback. Never use damaged equipment.
- Do NOT alter this product and never use it for purposes or in ways for which it was not intended.



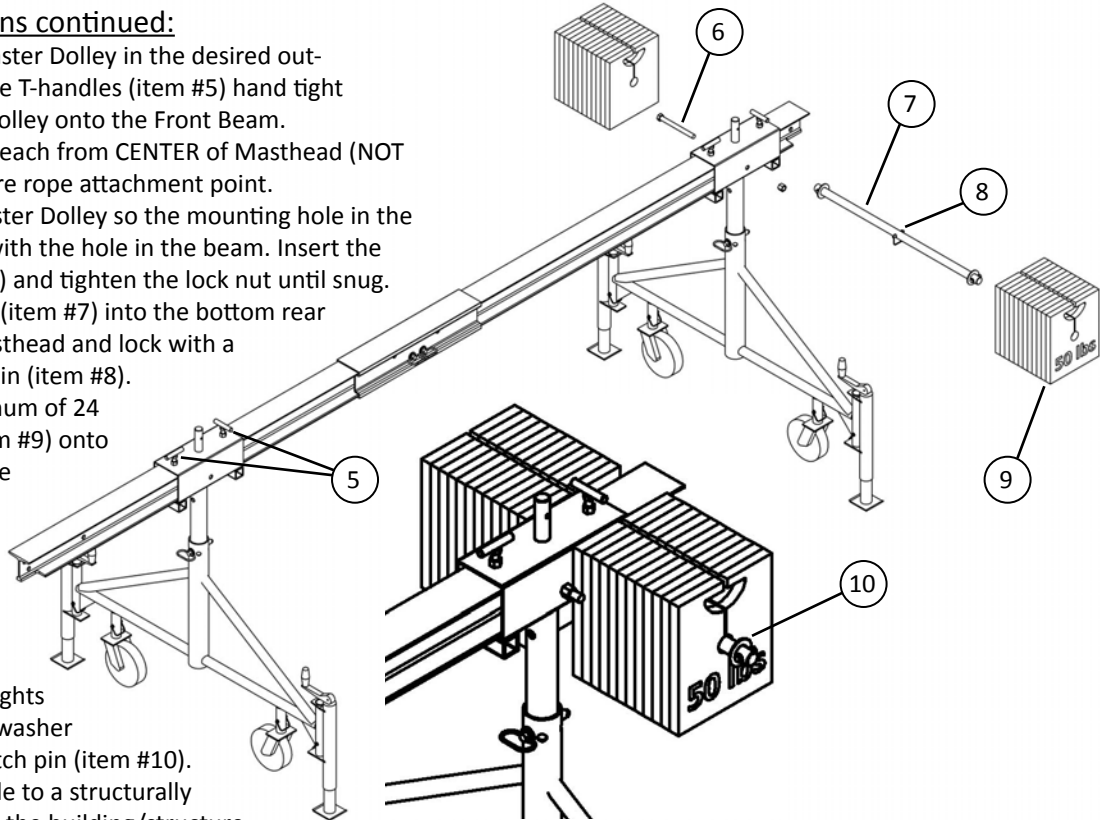
# Rolling Outrigger Beam, 5x5

## Assembly Instructions

### 920514 - Rolling Outrigger, 16 ft LCJ

#### Assembly Instructions continued:

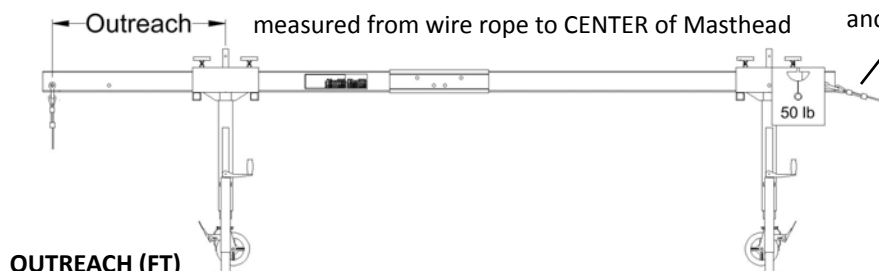
5. Position the front Caster Dolley in the desired out-reach and tighten the T-handles (item #5) hand tight to lock the Caster Dolley onto the Front Beam.  
 NOTE: measure outreach from CENTER of Masthead (NOT the front!) to the wire rope attachment point.
6. Position the rear Caster Dolley so the mounting hole in the Masthead lines up with the hole in the beam. Insert the 3/4x8" bolt (item #6) and tighten the lock nut until snug.
7. Insert the Longhorn (item #7) into the bottom rear tube of the rear Masthead and lock with a 5/16" bolt or hitch pin (item #8).
8. Evenly slide a maximum of 24 counterweights (item #9) onto the longhorn. If more counterweights are required, install a second Longhorn into the bottom front tube of the rear Masthead.
9. Lock the counterweights on each side with a washer and 5/16" bolt or hitch pin (item #10).
10. Attach a tieback cable to a structurally sound anchorage on the building/structure.
11. Attach the suspension wire rope.



TIEBACK cable to a structurally sound anchorage.

#### COUNTERWEIGHT CHART

# of 50 lb counterweights required for indicated outreach and hoist rated load.



		OUTREACH (FT)										
		1.0	1.5	2.0	2.5	3.0	3.5	4.0	4.5	5.0	5.5	6.0
HOIST RATED LOAD CAPACITY (LB)	750	5	7	9	12	15	18	22	26	31	36	42
	1000	6	9	12	16	20	24	30	36	42	N/A	N/A
	1250	7	11	15	20	25	31	38	N/A	N/A	N/A	N/A
	1500	9	13	18	24	30	38	N/A	N/A	N/A	N/A	N/A

N/A= Not Allowed