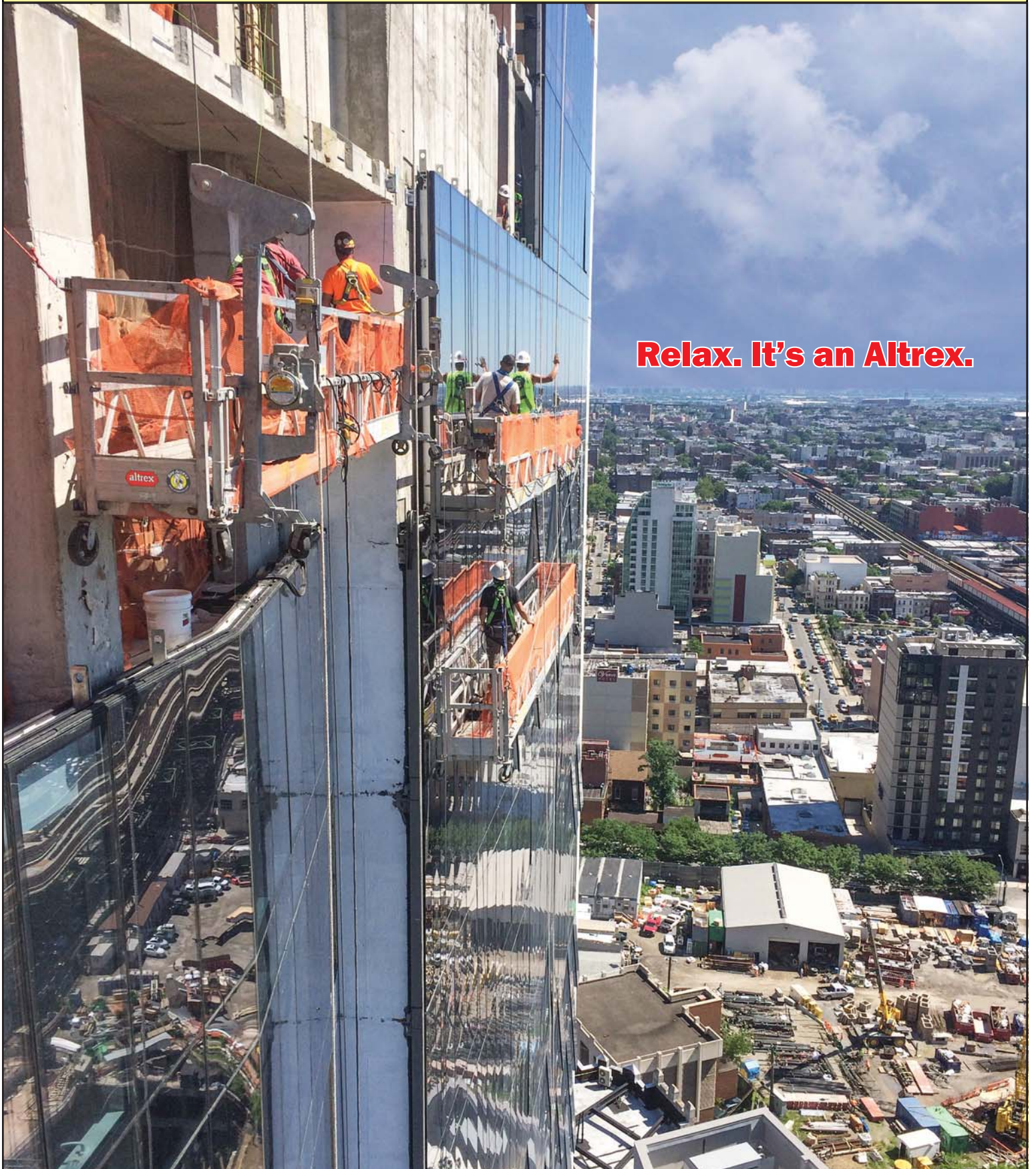




Modular Platform



Relax. It's an Altrex.

Relax, it's an Altrex. Since 1985, the Altrex MHB system has been the modular platform leader in the U.S. and around the world. Choosing for Altrex is choosing for safety, quality, performance and durability. The advantages of the Altrex Modular Platform System are:

Safety - Smart design does not rely on any welds for structural integrity. Altrex is certified by UL and meets or exceeds all current OSHA and ANSI industry standards.

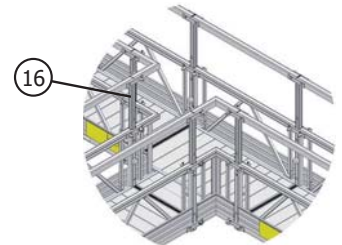
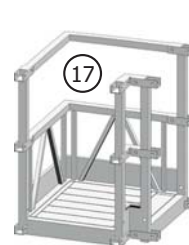
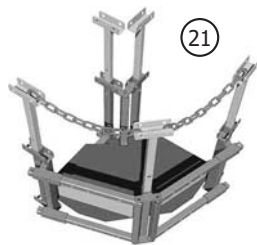
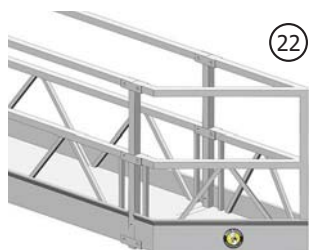
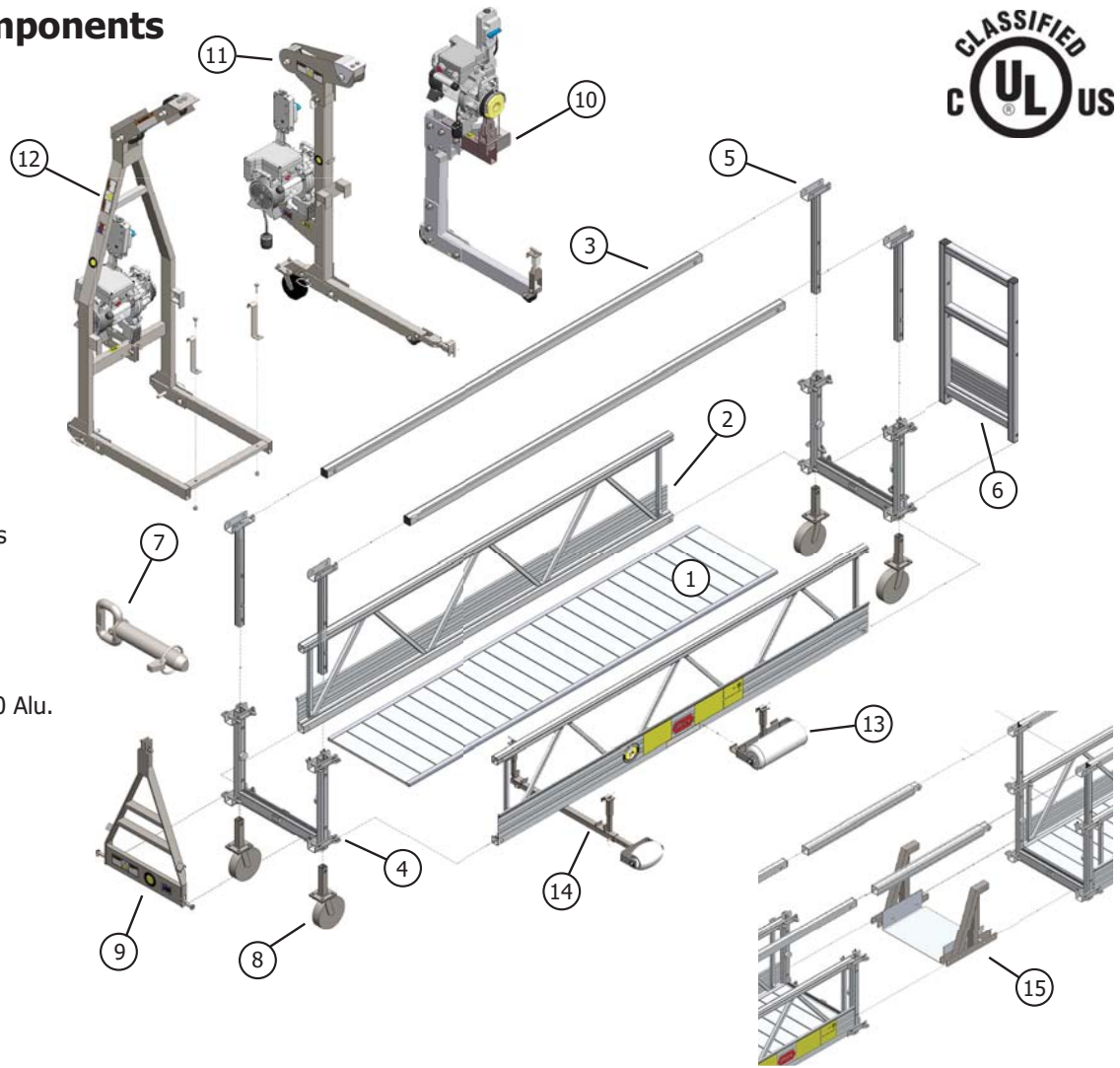
Quality - Components are made from special aluminum extrusions. The ISO certified manufacturing process in combination with the use of welding robots and double quality control, result in the highest level of consistent quality in the industry.

Performance - Modular design makes transportation easy. Components fit together with exact tolerances and are assembled fast and easy using Quickpins. Long lengths ensure good productivity. A multitude of accessories allow for flexibility and many possible applications.

- Available in 0.5, 1, 2 and 3m sections.
- CUL classified system. Easily assembles into platform lengths up to 62 ft with load capacities up to 2,000 lbs.
- Completely knocks down for easy transport and storage.
- All aluminum modular construction makes ALTREX lightweight, strong and versatile.
- Components assemble fast and easy using Quickpins.
- Reversible aluminum decks extend the working life.
- Optional hinge and corner sections add versatility and allow an unlimited number of configurations.
- Double wide and Boiler Stage available for special applications.
- Many accessories available to adapt to virtually any suspended platform application. Unmatched factory product and application support from Bee Access Products.

Identification of Components

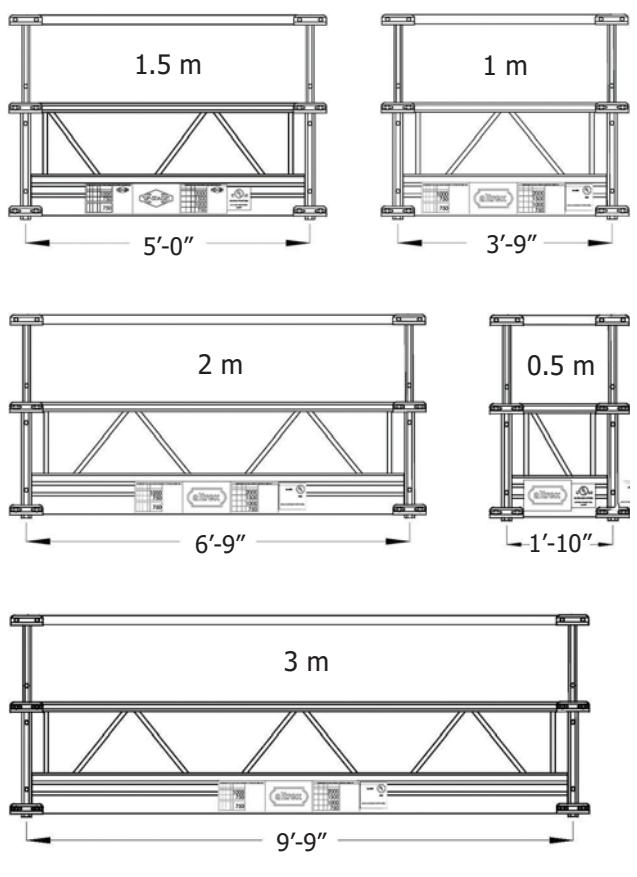
- 422905 1/2M Deck
- 422910 1M Deck
- US15DK 1.5M Deck
- 422920 2M Deck
- 422930 3M Deck
- 421005 1/2M Side Frame
- 421061 1M Side Frame
- US15SF 1.5M Side Frame
- 421062 2M Side Frame
- 421063 3M Side Frame
- 422055 1/2M Guard Rail
- 422011 1M Guard Rail
- US15GR 1.5M Guard Rail
- 422012 2M Guard Rail
- 422013 3M Guard Rail
- 421508 U Frame w/8 Quick Pins
- 421520 Guard Rail Post
- 423072 End Guard Rail
- 424001 Quick Pin, Each
- 934109 8 in. Caster Assy.
- 934102 End Stirrup
- 934205 Walk-By Stirrup, MHB60 Alu.
- 934106 Low Profile C-stirrup
- 934111 Walk Thru C-stirrup
- 934113 Roller Bumper, 6x15"
- 934114 Adj. Roller Bumper
- USHS Hinge Section
- USTS T-Section
- 423050 Corner Section, 90°
- 423055 Corner Section, 45°
- 423065 Corner Section, 30°
- 423070 Corner Section, 15°
- 42306A Adj. Corner Section
- US45ES End Section, 45°





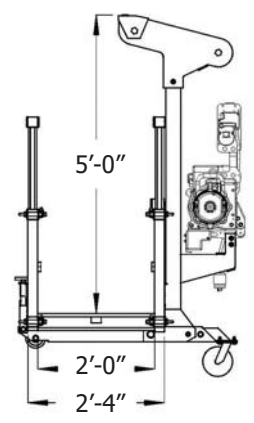
Innovation at Elevation

Dimensions



Low Profile C-stirrup

Intermediate stirrup for flexible length cantilevers. Top of stirrup only 5 ft off the deck to get the platform closer to the rigging for better access to the top of the facade. Can be used on Work Cages up to 1 m.



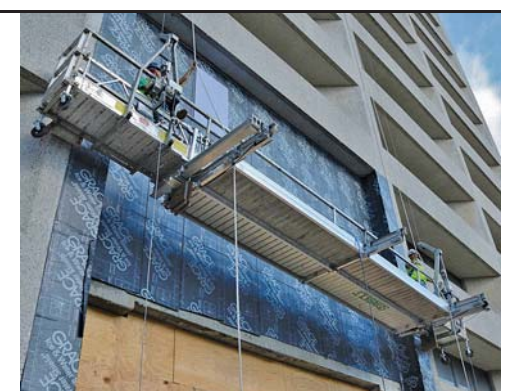
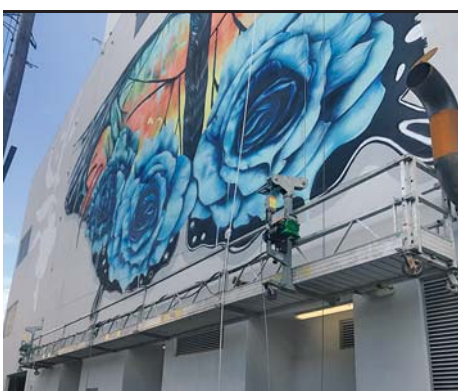
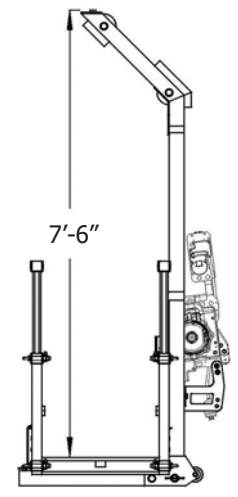
Walk-By Stirrup

Same height as End Stirrup, but with intermediate mounting for greater flexibility. No sheaves for better efficiency.



Walk Thru C-stirrup

The high profile design provides excellent stability, especially in workcage applications and when using porch brackets. Can be used to make up to 2 m Work Cages.

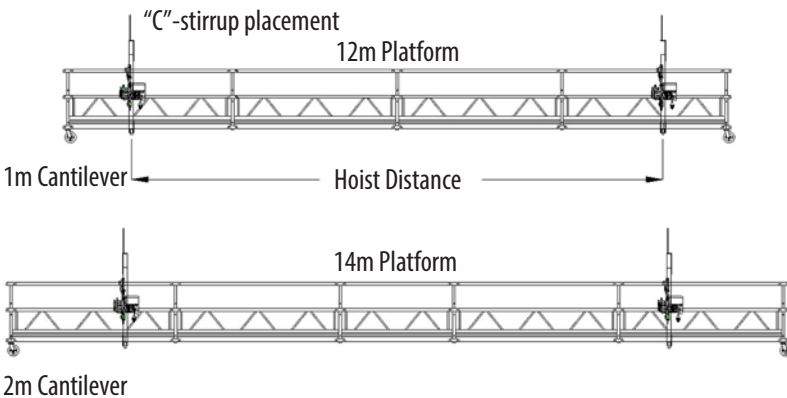




Platform Lengths - Configurations - Self Weight - Load Capacities

TOTAL LENGTH		CANTILEVER LENGTH		HOIST DISTANCE		PLATFORM CONFIGURATION (M)	TOTAL PLATFORM WEIGHT*		MAXIMUM RATED WORKING LOAD	
FT	M	FT	M	FT	M	I = END STIRRUP	LB	KG	LB	KG
6'-9"	2	NONE		6'-9"	2	2	257	117	2000	900
9'-9"	3	NONE		9'-9"	3	3	306	139		
13'-6"	4	NONE		13'-6"	4	2 - 2	358	163		
16'-6"	5	NONE		16'-6"	5	3 - 2	407	185		
19'-6"	6	NONE		19'-6"	6	3 - 3	456	207		
23'-3"	7	NONE		23'-3"	7	2 - 3 - 2	508	231	1500	680
26'-3"	8	NONE		26'-3"	8	3 - 2 - 3	557	253		
29'-3"	9	NONE		29'-3"	9	3 - 3 - 3	606	275	1000	450
33'-0"	10	NONE		33'-0"	10	3 - 2 - 2 - 3	658	299		
36'-0"	11	NONE		36'-0"	11	3 - 3 - 2 - 3	707	321		
39'-0"	12	NONE		39'-0"	12	3 - 3 - 3 - 3	756	343		
42'-9"	13	NONE		42'-9"	13	3 - 3 - 2 - 2 - 3	808	367		
45'-9"	14	NONE		45'-9"	14	3 - 3 - 2 - 3 - 3	857	389	750	340
48'-9"	15	NONE		48'-9"	15	3 - 3 - 3 - 3 - 3	906	411		
FT	M	FT	M	FT	M	USING "C"-STIRRUPS	LB	KG		
23'-3"	7	3'-9"	1	16'-6"	5	2 - 3 - 2	662	301	1000	450
26'-3"	8	3'-9"	1	19'-6"	6	3 - 2 - 3	711	323		
30'-9"	9	3'-9"	1	23'-3"	7	3 - 3 - 3	760	345		
33'-9"	10	3'-9"	1	26'-3"	8	3 - 2 - 2 - 3	812	369		
36'-9"	11	3'-9"	1	29'-3"	9	3 - 2 - 3 - 3	861	391		
40'-6"	12	3'-9"	1	33'-0"	10	3 - 3 - 3 - 3	910	413		
43'-6"	13	3'-9"	1	36'-0"	11	3 - 3 - 2 - 2 - 3	962	437		
46'-6"	14	3'-9"	1	39'-0"	12	3 - 3 - 2 - 3 - 3	1011	459		
50'-3"	15	3'-9"	1	42'-9"	13	3 - 3 - 3 - 3 - 3	1060	481	750	340
53'-3"	16	3'-9"	1	45'-9"	14	3 - 3 - 2 - 2 - 3 - 3	1112	505		
56'-3"	17	3'-9"	1	48'-9"	15	3 - 3 - 3 - 2 - 3 - 3	1161	527		
46'-6"	14	6'-9"	2	33'-0"	10	3 - 3 - 2 - 3 - 3	1011	459	750	340
49'-6"	15	6'-9"	2	36'-0"	11	3 - 3 - 3 - 3 - 3	1060	481		
52'-6"	16	6'-9"	2	39'-0"	12	3 - 3 - 2 - 2 - 3 - 3	1112	505		
56'-3"	17	6'-9"	2	42'-9"	13	3 - 3 - 3 - 2 - 3 - 3	1161	527		
59'-3"	18	6'-9"	2	45'-9"	14	3 - 3 - 3 - 3 - 3 - 3	1210	549		
62'-3"	19	6'-9"	2	48'-9"	15	3 - 3 - 3 - 2 - 2 - 3 - 3	1262	573		

EXPLANATION OF CANTILEVERED SECTIONS



* Total Platform Weight includes (4) casters, (2) end or low profile C-stirrups, (2) roller bumpers, excludes hoists or electric cable.

NOTES:

- All platform configurations as shown in the chart were tested and classified by U.L.
- Any platform configuration not listed on this chart must be approved by Bee Access Products or a competent and trained person from an authorized dealer.
- Chart above takes into consideration that (2) hoists are used.
- Rated Working Load must be evenly distributed on Platform.



Bee Access Products

2145 Indian Rd. | West Palm Beach, FL 33409
 Phone: (561) 616-9003 | Fax: (561) 616-9005
 www.beeaccess.com | info@beeaccess.com



SCAFFOLD & ACCESS
 INDUSTRY ASSOCIATION
 WWW.SIAONLINE.ORG